



**Irvine Ranch
Water District**

TCM Application – Hydrant Construction/Flushing Meters

Temporary Construction Meter (TCM) deposit check written to IRWD. See below for deposit amounts per Temporary Water Service Section of the [IRWD Schedule of Rates and Charges](#).

3” Hydrant Meter - \$1,900
General Construction Water

4” Flushing Meter - \$2,600
Hydrostatic & Bacteriological Testing on Chlorinated Pipelines

COMPLETE SECTION A. FOR HYDRANT CONSTRUCTION METER

A.	Company Name:	Billing Contact:
		Phone No.:
	Billing Address:	Email:
		Site Contact:
		Phone No.:
	Tax I.D. Number: (Required)	Email:
	3” Hydrant Meter Checklist:	Meter Request Set Date:
		Estimated Length of Use:
		<input type="checkbox"/> Hydrant Address:
		<input type="checkbox"/> Aerial Map Showing Hydrant/Major Cross Streets
Estimated Water Usage: (check one)	<input type="checkbox"/> _____ Gallons <input type="checkbox"/> _____ Gallons/Day <input type="checkbox"/> _____ Truck Fills/Day	
	<input type="checkbox"/> Hydrant Number, if available (spraypainted on hydrant): _____	
Hydrant Color:	<input type="checkbox"/> Yellow (Domestic) - Backflow Required <input type="checkbox"/> Red (Private) with Property Owner Approval Letter - Backflow Required <input type="checkbox"/> Purple (Recycled) - Only for Approved Uses	
Activity Use: (check all applicable)	<input type="checkbox"/> Dust Control <input type="checkbox"/> Land Establishment <input type="checkbox"/> Street Sweeping <input type="checkbox"/> Mixing Concrete <input type="checkbox"/> Sales/Construction Trailer <input type="checkbox"/> Other: _____	
	<input type="checkbox"/> Deposit Check Payable to IRWD (Business Check Only)	

COMPLETE SECTION B. FOR FLUSHING METER ONLY

B.	4” Flushing Meter Checklist:	<input type="checkbox"/> 11x17 Hard Copy Approved Plans (IRWD Code #, Vicinity Map)
		<input type="checkbox"/> Deposit Check Payable to IRWD

Initial _____ Date _____

I ACKNOWLEDGE TO HAVE READ AND UNDERSTAND THE TERMS OF SECTION 4 OF THE RULES AND REGULATIONS FOR WATER, SEWER, RECYCLED WATER AND NATURAL TREATMENT SYSTEM SERVICE, LATEST ADOPTED EDITION. ANY REPAIRS FOR DAMAGE TO THE HYDRANT, METER OR IRWD PROPERTY WILL BE THE RESPONSIBILITY OF THE CUSTOMER.

INTERNAL USE ONLY – TO BE COMPLETED BY IRWD TEAM MEMBERS

DS Rep. Name _____	Date _____	Field Activity _____
CS Rep. Name _____	Date _____	Account # _____
		Check # _____

HYDRANT TEMPORARY CONSTRUCTION METER DOMESTIC WATER SERVICE

PROJECT: _____

LOCATION: _____

INTENDED LENGTH OF USE _____ MONTHS

RESPONSIBLE APPLICANT

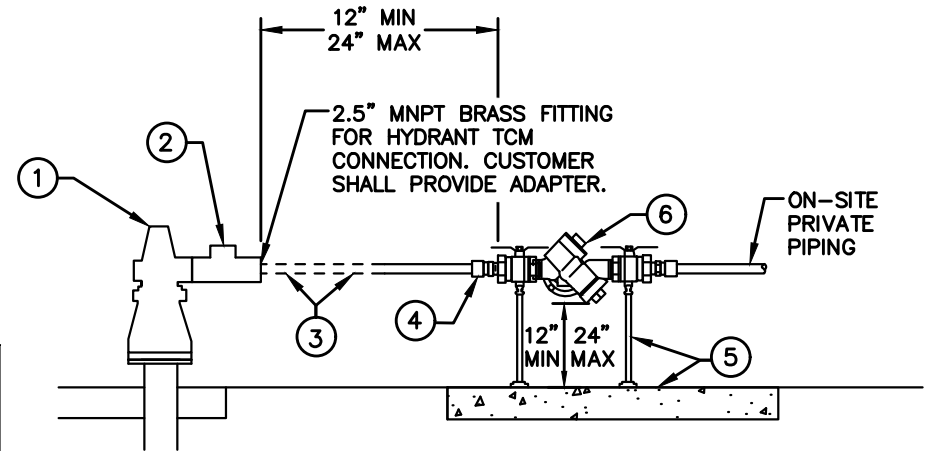
THE APPLICANT HEREBY CERTIFIES BY SIGNATURE BELOW THAT THE BACKFLOW, SUPPORT, AND LOCATION MEETS ALL IRWD AND CITY REQUIREMENTS (IF LOCATED WITHIN CITY RIGHT OF WAY), AND THAT THE BACKFLOW WILL BE TESTED AND CERTIFIED BY AN AWWA LICENSED BACKFLOW TESTER.

PRINT SIGN DATE

CONTACT PHONE NUMBER CONTACT EMAIL ADDRESS

NOTES:

- BACKFLOW AND APPURTENANCES SHALL BE CONSTRUCTED PRIOR TO APPLYING FOR AN IRWD CONSTRUCTION METER.
- APPLICANT SHALL BRING THIS FORM ONCE BACKFLOW IS SETUP ON SITE TO THE ENGINEERING COUNTER AT 15600 SAND CANYON, IRVINE.
- ONCE METER IS SET, APPLICANT SHALL HAVE BACKFLOW TESTED AND CERTIFIED BY AN AWWA LICENSED BACKFLOW TESTER AND A COPY OF THE TEST SHALL BE EMAILED TO BACKFLOWTEST@IRWD.COM.
- ONCE TEMPORARY USE IS COMPLETE, ALL TEMPORARY CONNECTION ASSEMBLY ITEMS SHALL BE COMPLETELY REMOVED AND EXISTING FACILITIES RETURNED TO ORIGINAL CONDITION AND APPLICANT SHALL CALL IRWD FOR PICKUP OF METER. APPLICANT SHALL CONTACT CITY FOR ANY RIGHT OF WAY RESTORATION REQUIREMENTS.
- ANY SEWER CONNECTIONS SHALL REQUIRE SEPARATE IRWD ENGINEERING PLANS.
- BACKFLOW ASSEMBLY SHALL BE A LEAD FREE MODEL ON THE USC APPROVED LIST. fccchr.usc.edu/list.html
- IF RECYCLED WATER IS AVAILABLE FOR CONSTRUCTION WATER USE, AN ENGINEERING PLAN SHALL BE SUBMITTED SEPARATELY FOR INSTALLATION OF TEMPORARY RECYCLED WATER FACILITIES.
- IRWD RECORD DRAWINGS ARE AVAILABLE AT IRWD.COM>DOING BUSINESS>ENGINEERING>GIS MAP AND RECORDS.



CONNECTION DETAIL

N.T.S.

- EXIST. FH
- IRWD HYDRANT CONSTRUCTION METER
- FINAL CONNECTION FROM METER TO BACKFLOW, TESTING, AND CERTIFICATION OF THE BACKFLOW SHALL BE THE RESPONSIBILITY OF THE APPLICANT. BACKFLOW, SUPPORT, CONCRETE PAD, AND ALL OTHER PIPING SHALL BE INSTALLED PRIOR TO SETTING OF IRWD CONSTRUCTION METER.
- REFER TO IRWD STD DWG W-7 SHEET 1 OF 3 FOR ALL PIPE MATERIAL REQUIREMENTS
- CUSTOMER SHALL PROTECT IRWD PROPERTY INCLUDING THE HYDRANT AND METER. INSTALL SUPPORTS ON THE BACKFLOW AS NEEDED. CUSTOMER SHALL BE RESPONSIBLE FOR ANY REPAIR COSTS DUE TO DAMAGES ON IRWD FACILITIES.
- ___" REDUCED PRESSURE BACKFLOW ASSEMBLY PER STD W-7 RP DEVICE MUST BE ON THE USC APPROVED BACKFLOW LIST

NOTE: BACKFLOWS SHALL NOT BE INSTALLED WITHIN OR UPON PUBLIC SIDEWALKS. FOR INSTALLATIONS LOCATED WITHIN SIDEWALK OR WITHIN CITY RIGHT OF WAY, EVIDENCE OF A CITY ENCROACHMENT PERMIT SHALL BE REQUIRED AT THE TIME OF THE IRWD APPLICATION.



IRVINE RANCH WATER DISTRICT
HYDRANT TEMPORARY CONSTRUCTION METER
DOMESTIC WATER SERVICE DETAIL

SHEET
1
1 OF 1
SHEETS